

Transfer Switches

SERIES MW 12TR

GENERAL INFORMATION

Elisra's transfer switches offer optimized insertion loss, excellent VSWR and Isolation. Other optional models are available upon request.

The 12TR switches are supplied complete with integral driver and TTL control

GENERAL SPECIFICATIONS

Power Handling Capability	200 mW
Temperature Range	-55°C to +125°C
Storage Temperature Range	-65°C to +125°C
RF Connectors	SMA (female)
DC and Logic Connector	Solder pin

OPTIONS

- ▶ Other Frequency Bands are Available
- ▶ Higher Isolation is Available

HOW TO ORDER

To order an MW 12TR switch please follow the example

EXAMPLE:

$$\frac{\text{MW 12TR 01}}{1} - \frac{\text{D1}}{2} - \frac{\text{PS1}}{3}$$

LEGEND

- Select switch (basic model number)
- TTL Control Input (for units with drivers)
- Power Supply (for units with driver)
 - PS1: +5V and -5V
 - PS2: +5V and -12V
 - PS3: +12V and -12V
 - PS4: +15V and -15V
 - PS5: +5V for drop-in only

D	Logic	IL	Isolation
D1	0	J1-J2; J3-J4	J1-J4; J2-J3
	1	J1-J4; J1-J3	J1-J2; J3-J4
D2	0	J1-J4; J2-J3	J1-J2; J3-J4
	1	J1-J2; J3-J4	J1-J4; J4-J3

SPECIFICATIONS

MW 12RT Transfer Switches

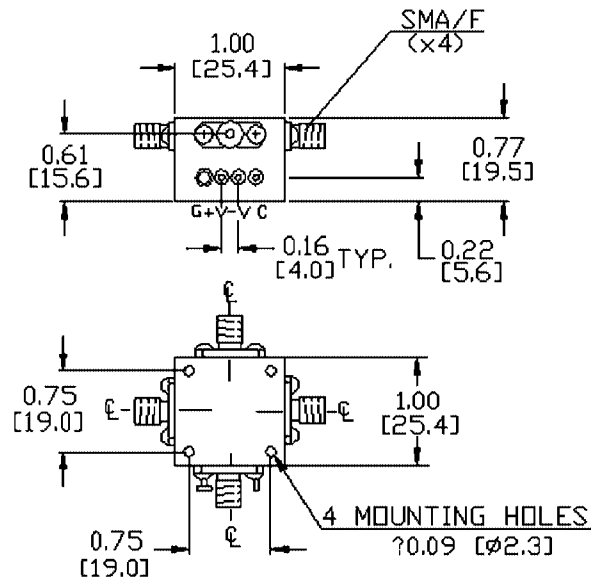
Model Number	Frequency Range (GHz)	Insertion Loss max (dB)	VSWR max	Isolation (dB)	DC Requirements (mA)		Switching Time max (ns)	Case
					+V	-V		
MW 12TR 02	0.01 – 0.5	0.8	1.3	40	70	-	10μ	TR-2
MW 12TR 01	0.2 – 0.5	0.7	1.3	40	70	40	1μ	TR-1
MW 12TR 03	0.5 – 2	1.6	1.7	50	70	40	35	TR-1
MW 12TR 05	2 – 8	1.8	1.8	50	70	40	35	TR-1
MW 12TR 18	2 – 18	2.9	2.0	50	70	40	35	TR-1

Outline Drawings

All dimensions are in inches and (mm). Drawings are in first angle projection.

TRANSFER SWITCHES

CASE TR1



CASE TR2 (Drop-in)

