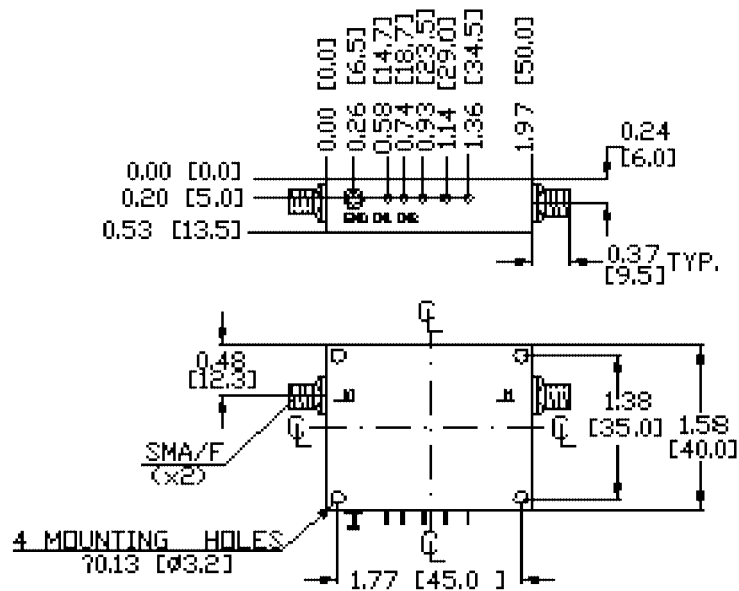


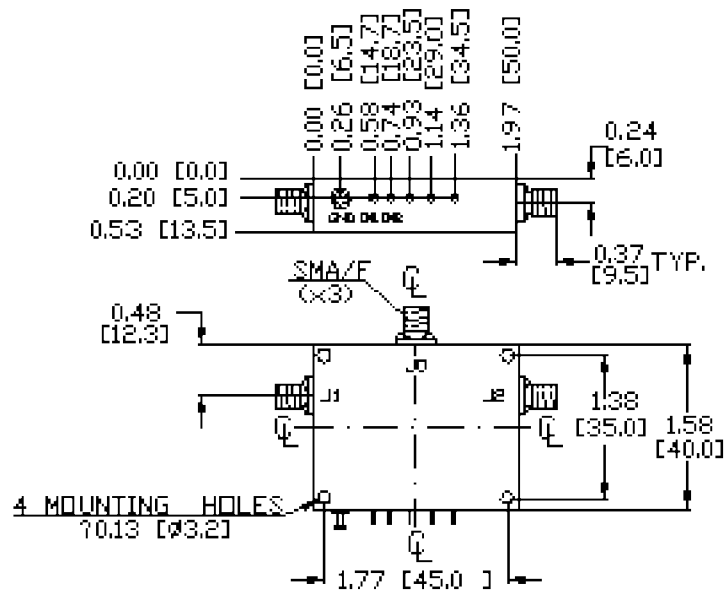
Outline Drawings

All dimensions are in inches and (mm). Drawings are in first angle projection.

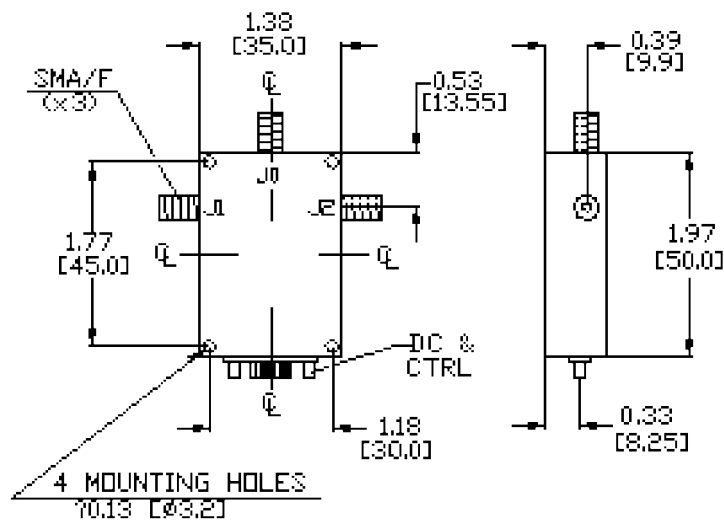
CASE A (SPST)



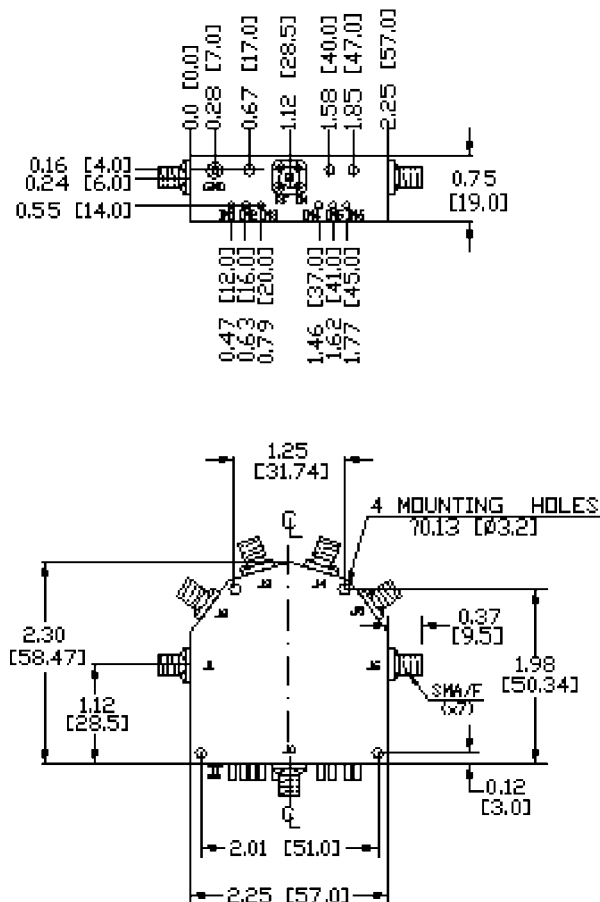
CASE B (SPDT)



CASE B1 (SPDT)



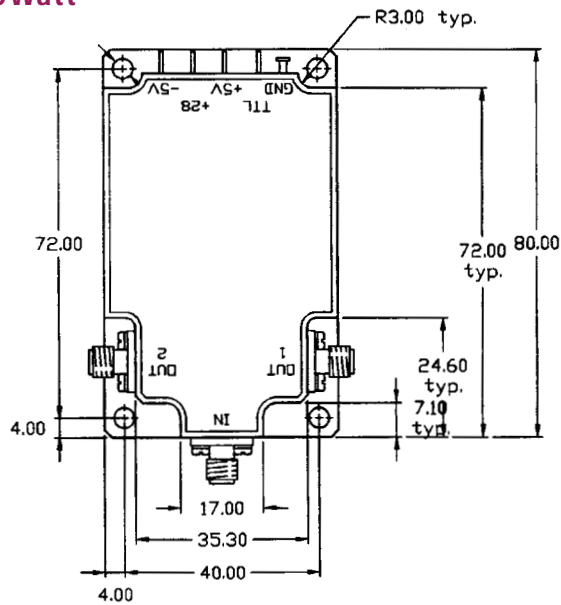
CASE C (SP3T-SP6T)



Outline Drawings

All dimensions are in inches and (mm). Drawings are in first angle projection.

CASE D (SPDT) 6-18GHz 100Watt



CASE E (SPDT) 1-8GHz 50Watt

